

FEATURES

- ▷ Ability to force 10M/100M/1G/10G speeds on UTP port.
- ▷ Auto-negotiation on UTP port.
- ▷ Supports both half and full duplex on UTP port.
- ▷ MTU 1500 bytes
- ▷ Energy-Efficient Ethernet and energy detect supportExcellent Value
- ▷ Full support of MACsec
- ▷ PTP/1588v2 support
- ▷ 10G Base T over 100m of CAT6A cable
- ▷ Compact Size
- ▷ Rugged Steel Enclosure
- ▷ Highest of Quality Components

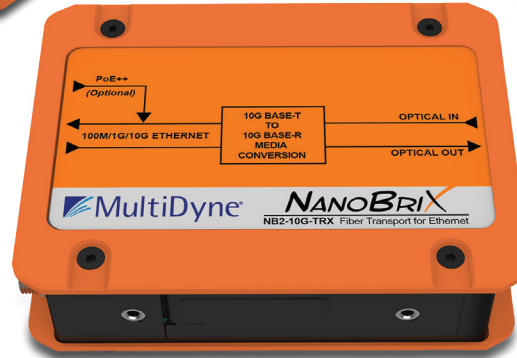
APPLICATIONS

- ▷ Live Broadcast
- ▷ Arenas and Stadiums
- ▷ Shared Control Rooms
- ▷ Campus Facilities



Ethernet Panel

Optical Panel



NB2-10G-TRX

The NB2-10G-TRX provides a cost-effective miniature solution to extend 10G Ethernet signals over fiber optic cable.

On one side of the unit a standard RJ45 connector provides the 10G copper interface while the SFP is plugged into the opposite side. A green power LED is illuminated when power is detected at the input. Two blue LEDs are also available to indicate network presence for either 100M/1G or 10G connections.

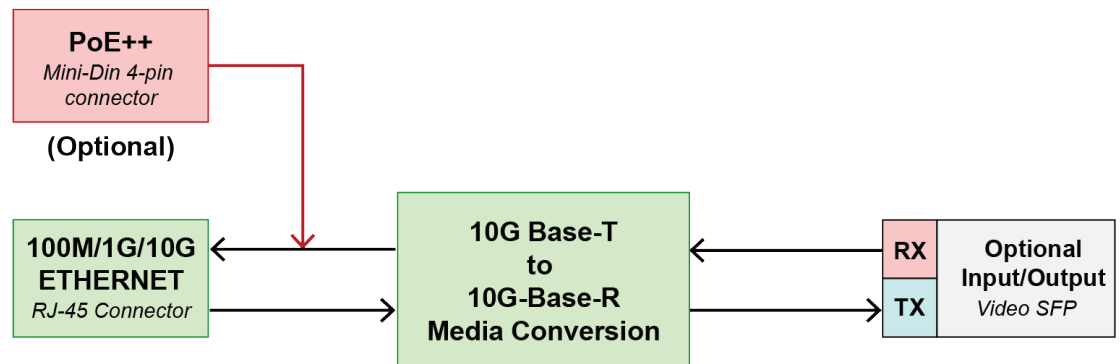
The SFP's are sold separately and allow for standard 1310 nm wavelengths, WDM 850/1550 nm wavelengths and all 18 CWDM available wavelengths. For applications where ST connections are required the NB2-ST-ADAPTER converts the SFP to 1ST connector. In this configuration WDM SFP's are required.

For applications where PoE++ is required the NB2-10G-TRX-POE comes with a 56 VDC power supply allowing for up to 90-Watt output on the RJ45 to power external devices.

The NB2-10G-TRX can be outfitted with Single mode SFP's reaching cable distances up to 10KM or up to 300 Meters with Multimode SFP's and cable installed.

The NB2-10G-TRX is portable by nature, the unit also comes with a magnetic strip to allow for quick mounting to the side of a rack or stacking with other units in the NB2 family.

BLOCK DIAGRAM



FEATURES

- ▷ Excellent Value
- ▷ Compact Size
- ▷ Rugged Steel Enclosure
- ▷ Highest of Quality Components

APPLICATIONS

- ▷ Live Broadcast
- ▷ Arenas and Stadiums
- ▷ Shared Control Rooms
- ▷ Campus Facilities

TECHNICAL SPECIFICATIONS

Ethernet/SFP

Supported SFPs	10G SFP+ Single mode / Multimode
Supported Ethernet Standards	10GBASE-T 5GBASE-T 2.5GBASE-T 1000BASE-T 100BASE-TX 10BASE-Te
Cable reach 10G	100m over CAT6A and CAT7 cable 55m over CAT 6 Best effort over CAT5e
Cable reach 5G, 2.5G	100m over CAT5e or better cable
Cable reach 10M, 100M, 1G	130m over CAT5e or better cable
PoE standards	Fully compatible 803.2af, 803.2at and 802.3bt. Up to 90 Watt output

Mechanical, Electrical, Environmental

Length/Width/Height	4.39" x 3.35" x 1.06"
Weight	8.1oz
Power	5-15VDC Locking 2,5/5,5mm barrel USB-C 56V PoE Power supply
Power consumption	5W max
Operating temperature	-20 to +45°C (-4 to +113°F)
Storage temperature	-40 to +70°C (-40 to +158°F)

ORDERING INFORMATION

Part #	Description
NB2-10G-TRX	10G Ethernet Transceiver
NB2-10G-TRX-POE	10G Ethernet Transceiver – POE++
NB2-ST-ADAPTER	Standard ST adapter to convert SFP to 1 ST requires WDM A/B SFP's
OPT-00121	10G SFP TRX 1310nm, MSA, 10 Km
OPT-00122	10G SFP TRX WDM A, 1270/1330nm, MSA, 10 Km
OPT-00123	10G SFP TRX WDM B, 1330/1270nm, MSA, 10 Km
OPT-00075	10G SFP TRX CWDM – 1271nm, MSA, 10 Km
OPT-00076	10G SFP TRX CWDM – 1291nm, MSA, 10 Km
OPT-00077	10G SFP TRX CWDM – 1311nm, MSA, 10 Km
OPT-00078	10G SFP TRX CWDM – 1331nm, MSA, 10 Km
OPT-00079	10G SFP TRX CWDM – 1351nm, MSA, 10 Km
OPT-00080	10G SFP TRX CWDM – 1371nm, MSA, 10 Km
OPT-00081	10G SFP TRX CWDM – 1391nm, MSA, 10 Km
OPT-00082	10G SFP TRX CWDM – 1411nm, MSA, 10 Km
OPT-00083	10G SFP TRX CWDM – 1431nm, MSA, 10 Km
OPT-00084	10G SFP TRX CWDM – 1451nm, MSA, 10 Km
OPT-00085	10G SFP TRX CWDM – 1471nm, MSA, 10 Km
OPT-00086	10G SFP TRX CWDM – 1491nm, MSA, 10 Km
OPT-00087	10G SFP TRX CWDM – 1511nm, MSA, 10 Km
OPT-00088	10G SFP TRX CWDM – 1531nm, MSA, 10 Km
OPT-00089	10G SFP TRX CWDM – 1551nm, MSA, 10 Km
OPT-00090	10G SFP TRX CWDM – 1571nm, MSA, 10 Km
OPT-00091	10G SFP TRX CWDM – 1591nm, MSA, 10 Km
OPT-00092	10G SFP TRX CWDM – 1611nm, MSA, 10 Km