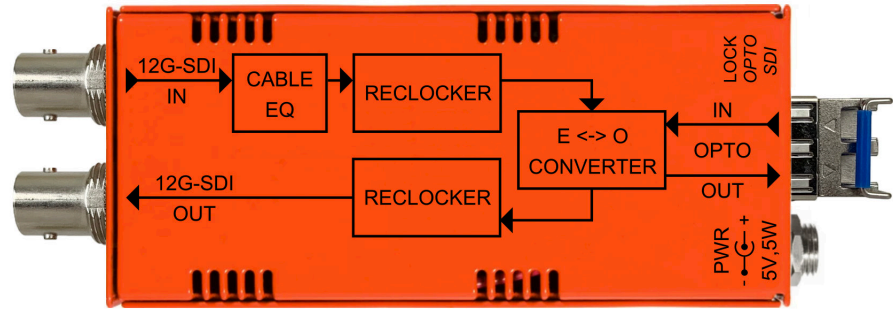


### FEATURES

- ▷ Excellent Value
- ▷ Compact Size
- ▷ Rugged Steel Enclosure
- ▷ Highest of Quality Components

### APPLICATIONS

- ▷ Live Broadcast
- ▷ Arenas and Stadiums
- ▷ Shared Control Rooms
- ▷ Campus Facilities



NBX-TRX-12G-LC

The NBX-TRX-12G-LC from MultiDyne provides a miniature solution to transmit and receive 12G/HD/SD-SDI signals over single-mode fiber optic cable using LC fiber optic connectors at distances up to 10km.

The unit accepts one SDI signal on a BNC connector and provides one optical output of this signal on an LC connector over single-mode cable with 1310 nm wavelength.

The NBX-TRX-12G-LC also provides one SDI fiber optic input on an LC connector with a wavelength range of 1270 nm to 1610 nm and offers one output of this signal

on a BNC connector.

The NBX-TRX-12G-LC provides reclocking of both the incoming and outgoing SDI signals on the BNC connectors. LED indicators provide a GREEN status indication to show that the reclockers are locked to a valid SDI signal or a RED status indicating a valid SDI signal is not present.

Power to the NBX-TRX-12G-LC is provided by an external AC Adapter with a locking DC connector supplied with the module.

### NBX-TRX-12G-LC CONNECTORS



### TECHNICAL SPECIFICATIONS

#### Mechanical, Environmental

Power	5VDC, .5W Adapter
Dimensions	3.875" x 1.750" x 0.688" (L x W x H)
Weight	5.6 oz
Operating Temperature	-25C to 40C

### ORDERING INFORMATION

Part #	Description
NBX-TRX-12G-LC	12G/HD/SD-SDI Fiber Optic Transceiver LC Connectors. Includes Power Supply.